

Process Temperature Limits: -40°F to 300°F (-40°C to 150°C)

Case Material: Aluminum or Valox

Lens Material: Glass

Socket: Brass

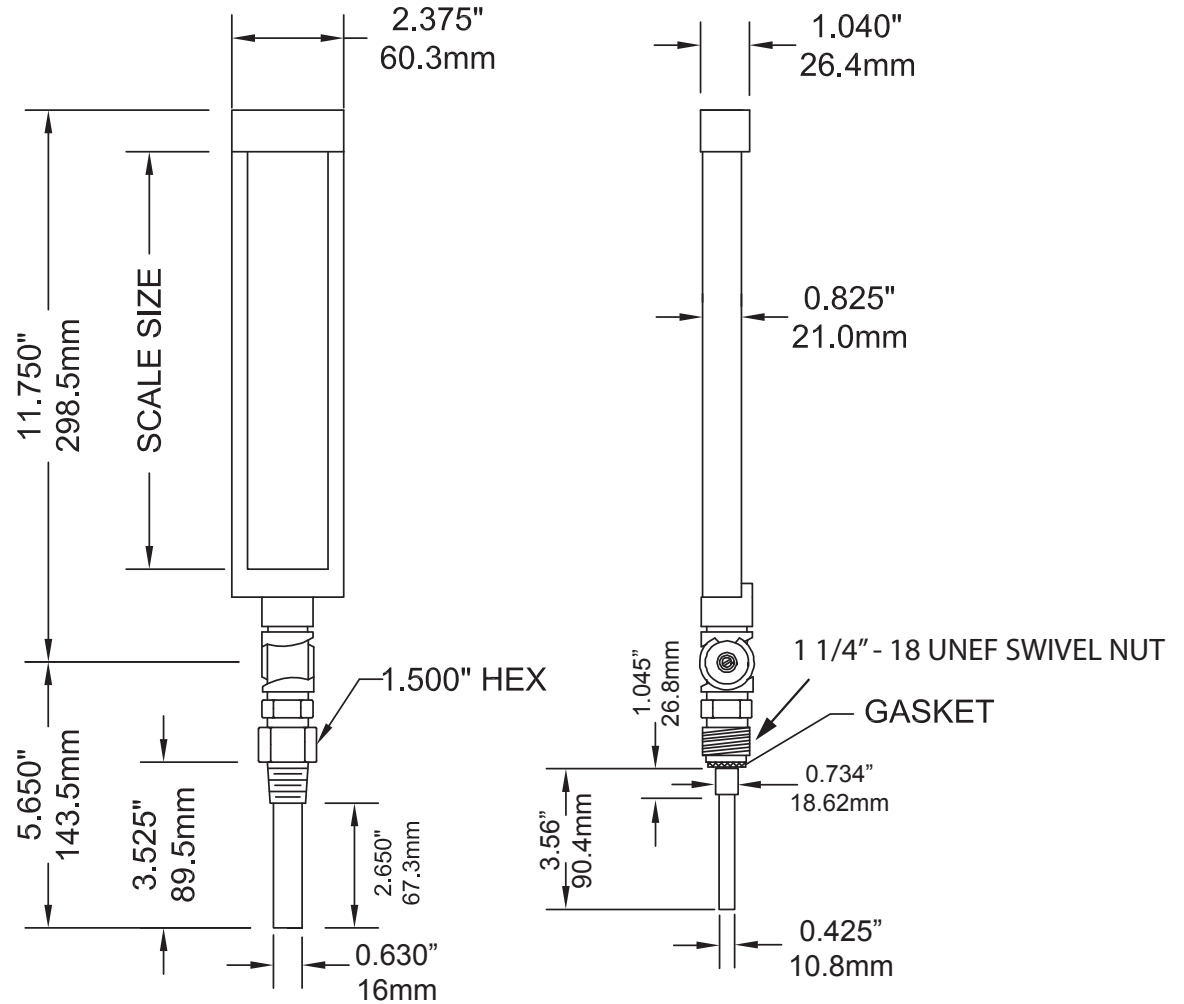
Scale Plate: Aluminum

Tube: Glass, organic fill

Accuracy: ±1%

Enclosure Rating: IP54

CAN / CGSB - 14.4 -M88 Compliant



WITH SOCKET

WITHOUT SOCKET



DRAWN BY: PHOEBE MA

ENG. APPROVAL:

ALL DIMENSIONS IN INCHES/MM

TOLERANCES (unless otherwise stated)	
Fractional:	1/64" 0.4mm
Decimal:	0.06" 1.5mm

REVISION No AND DATE: #2 May 20, 2009

TITLE:

INDUSTRIAL 9IT THERMOMETER WITH 3.5" STEM

DRAWING NO: TIM10X & TIM10XA