

Protector



Skidmore[®]
A Swan Group Company

Protector

Easy to use and maintain, the Protector is known as our most reliable in-stock unit.

Available in simplex or duplex units, as well as condensate return or boiler feed units, all Protector series units are capable of handling hot or cold water. Many units have low profiles for low-headroom applications.

Overview
Cast iron and steel receivers
Capacities from 8,000 to 12,000 sq. ft. EDR
Air capacities from 1 to 150 CFM
Standard receiver capacities from 29 to 1,000 gallons

Protector Features

- Industry leader in prompt delivery
- Competitively priced and manufactured in the U.S. by a team of professional craftsmen
- Large selection of multiple profiles available for specific applications, each expertly designed for maneuverability
- Simple in-field hookup
- Universal-type 4-bolt square flange mounting allows the Protector to fit major competitors' models when using the available adapter.
- Low Net Positive Suction Head Requirements (NPSHR), capable of handling temperatures up to 210°F
- NORYL™ impeller designed to assure smooth and efficient water passage, along with a mechanical seal capable of handling temperatures up to 250°F
- Simplex units equipped for future second pump (except PC-6N and PS-10N)

Protector Specifications

Receiver: steel or cast iron

Volute: cast iron

Seal Plate: cast iron

Impeller: non-ferrous material

Mechanical Seal: John Crane™ type 6 or equal, ceramic and Phenolic Carbon Graphite (Cranecarb) seal faces, neoprene, ethylene-propylene terpolymer (EPT) and Nitrile (Buna-N) elastomers, stainless steel metal parts

Float Switch: simplex units normally open contacts that energize pump on demand (liquid rise)

3/8" Makeup Valve: maximum inlet psi 50 (boiler feed operation)

Casing Gasket: cellulose fiber chloroprene

Water Slinger: neoprene

Hardware: stainless steel, brass (cadmium plated)

Close-coupled Motor: square flange, 1/3 hp, 115/230 open drip-proof (ODP), 3,450 rpm, grease-lubricated shielded ball bearings, threaded stainless steel shaft, capacitor start, induction run, built-in thermal overload protection with automatic reset

Protector Condensate Return

Capacity
8,000 to 12,000 sq. ft. EDR

Protector Condensate Return units are designed to collect and quickly return condensate to the boiler feed unit in low-pressure steam heat systems. Pumping action is controlled by the water level inside the receiver and a float device is used to turn the pump(s) on and off.

Protector Condensate Return receivers are available in cast iron or carbon steel. Please note that steel receivers come in a broad range of size options, making them perfect for space-saving configurations.

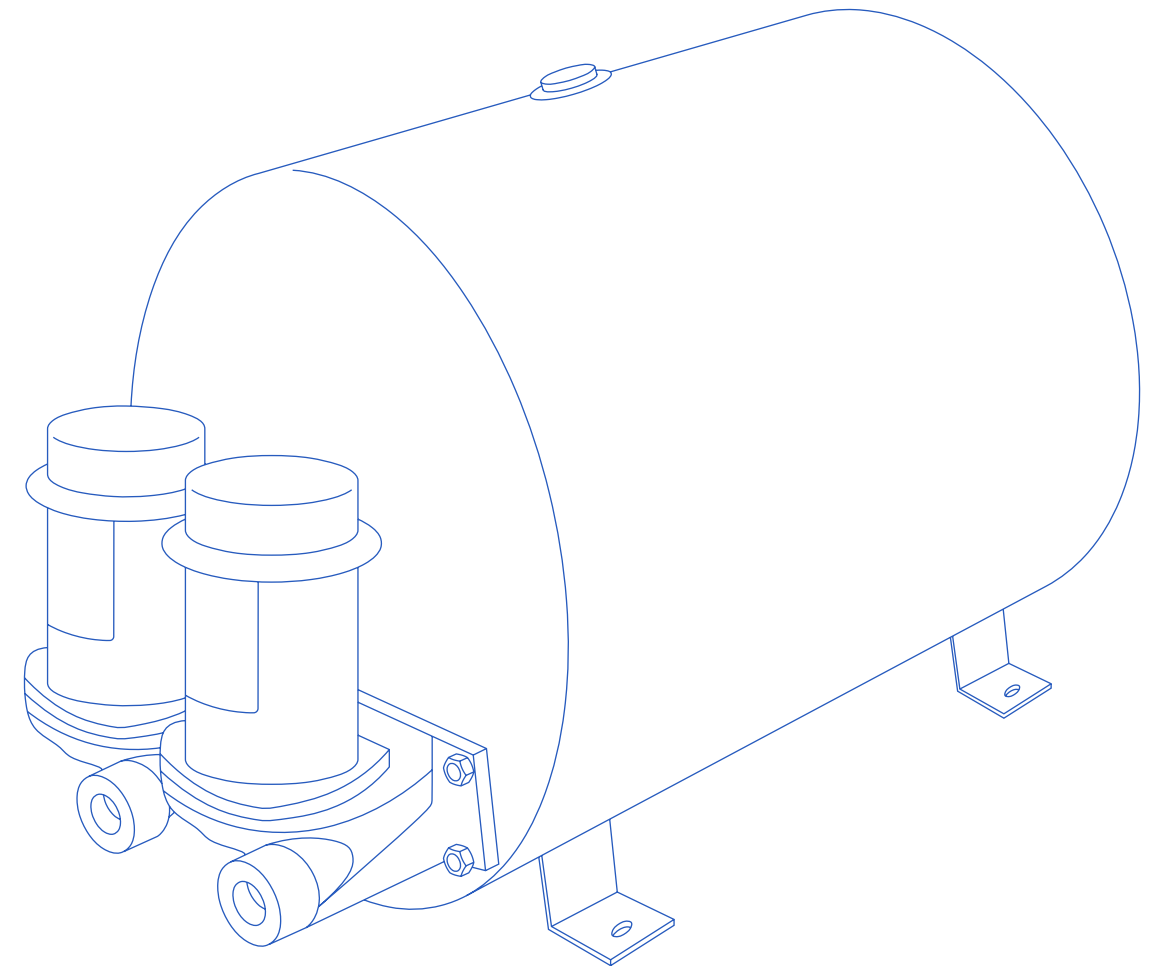
Protector Boiler Feed

Capacity
8,000 to 12,000 sq. ft. EDR

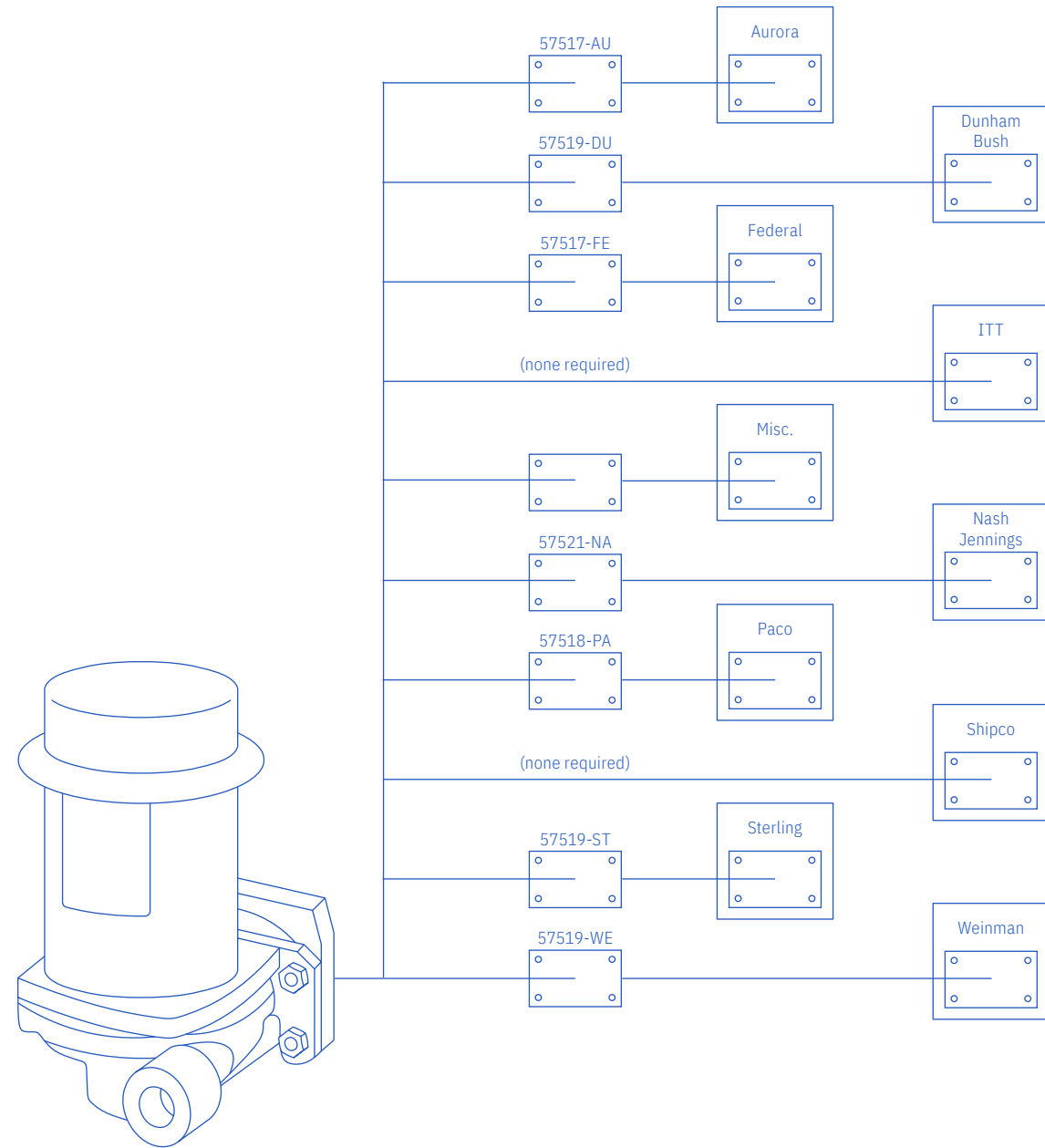
Protector Boiler Feed units are used to pump condensate and makeup water directly into the boiler(s). Protector Boiler Feed receivers are available in cast iron or carbon steel. Steel offers a broad range of receiver size options, making it perfect for space-saving configurations.

Each Skidmore Protector is equipped with a heavy-duty and easily removable float-operated makeup valve. Pumping action is determined by a boiler-mounted level controller that senses boiler water level requirements.

Cylindrical Steel Receiver (Duplex Unit shown)



Interchangeability



Pump Characteristics

gpm	psi	NPSHR
10	25	2'
20	20	2'
30	15	2'
40	10	3.5'

Typical Catalog Code

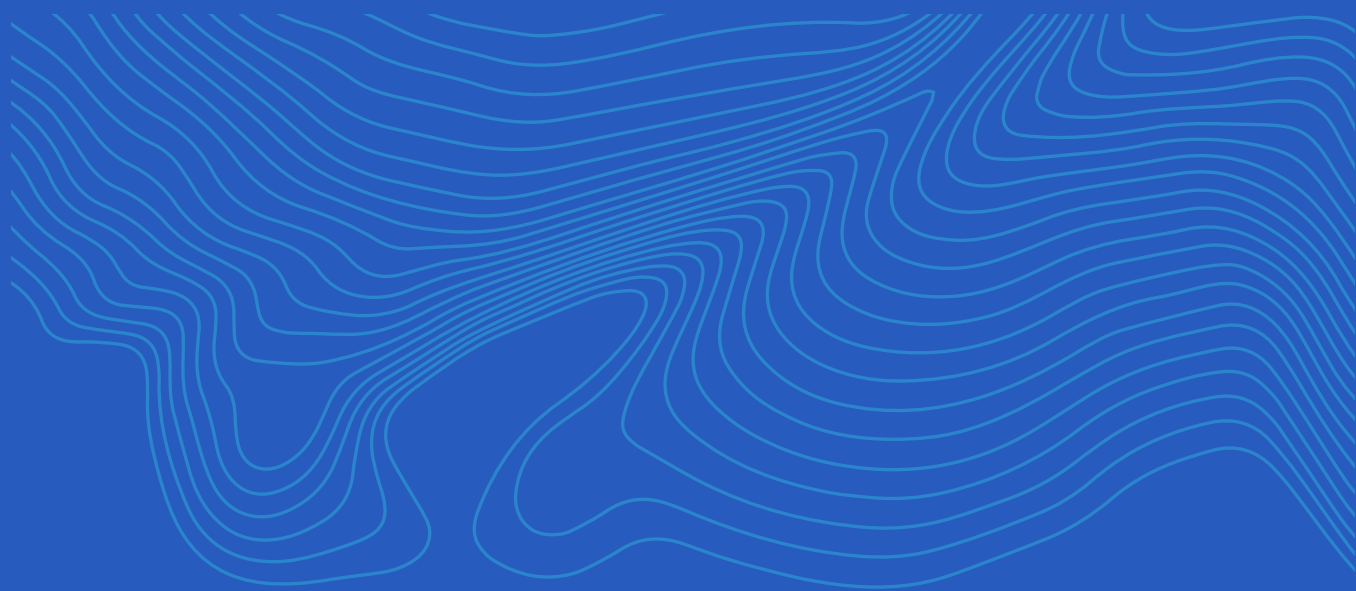
	P	S	B	-	49	D	N
Protector Series							
Receiver Construction							
Boiler Feed							
Receiver Size (Gallons)							
Duplex							

C Cast Iron
S Steel

Comparison Guide

* Pump capacity 30 gpm at 20 psi discharge 3/4 hp. All boiler feed systems simplex and duplex with makeup valve and sight glass.

Condensate Units		Boiler Feed Units (Rectangle)		Boiler Feed Units (Horizontal)		Boiler Feed Units (Vertical)	
GPM Protector	Hoffman Watchman	GPM Protector	Hoffman Watchman	GPM Protector	Hoffman Watchman	GPM Protector	Hoffman Watchman
PC-6N	WC-6-20B	PSB-20N	-	PSB-49N	-	VPSB-49N	50VBFS-B
PC-15N	WC-12-20B	PSB-20DN	-	PSB-49DN	-	VPSB-49DN	50VBFD-B
PC-15DN	WCD-12-20BMA	-	-	PSB-71N	-	VPSB-71N	-
PC-21N	-	-	-	PSB-71DN	-	VPSB-71DN	-
PC-21DN	-	-	-	PSB-117DN	-	VPSB-117N	100VBFS-B
PS-10N	WCS-8-20B	-	-	PSB-150N	-	VPSB-117DN	100VBFD-B
PS-20N	-	-	-	PSB-150DN	-	VPSB-110N	-
PS-20DN	-	-	-	-	-	VPSB-110DN	-
-	-	-	-	-	-	*VPSB-211J	200VBF-S
-	-	-	-	-	-	*VPSB-211JD	200VBF-D



We believe great ideas make great products. We built our company culture on this philosophy in 1921, and continue to stand by it today.

Every pump that leaves our doors has been carefully crafted and tested against the strictest standards, assuring you receive the highest-quality product possible.

skidmorepump.com

1875 Dewey Avenue
Benton Harbor, MI 49022

(269) 925-8812