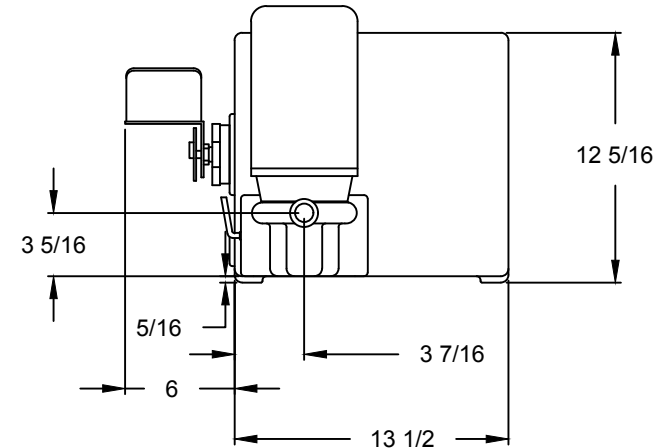
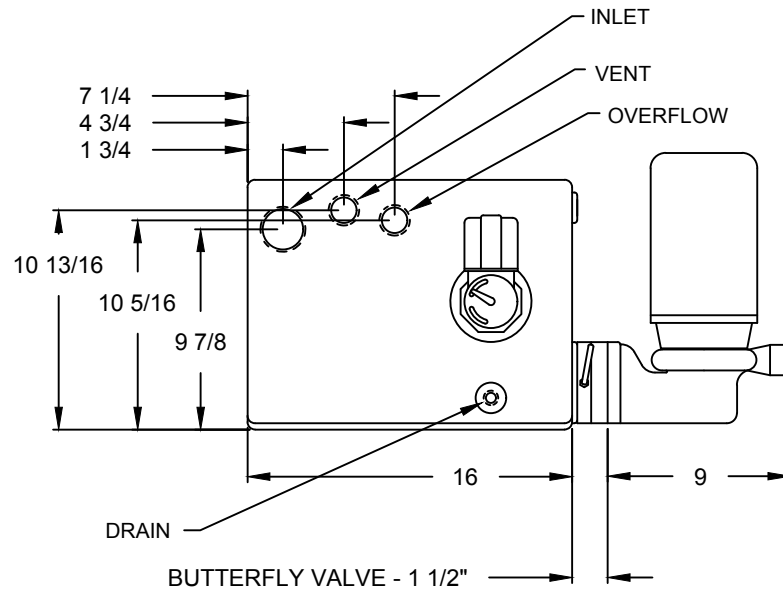


INLET - 2" NPT  
 OVERFLOW - 1 1/4" NPT  
 VENT - 1 1/4" NPT  
 DRAIN - 1/2" NPT

- DIMENSIONS FOR REFERENCE ONLY  
 - INSTALL ALL DRAIN PIPING FULL SIZE (MINIMUM SIZE) TO AIR GAP OR OPEN DRAIN  
 - ALL CONNECTING PIPING TO UNIT MUST BE SUPPORTED & ANCHORED. UNIT IS NOT DESIGNED TO SUPPORT PIPING WEIGHT.

← DENOTES WHERE SHIPCO PIPING ENDS AND CONTRACTOR PIPING BEGINS →



**SHIPCO®**  
**PUMPS**

MANUFACTURED BY

SHIPPENSBURG PUMP COMPANY INC.  
 P.O. Box 279 • Shippensburg, PA 17257  
 PHONE 717 532-7321 • FAX 717 532-7704  
 www.shipcopumps.com

SHIPCO® IS A REGISTERED TRADEMARK OF SHIPPENSBURG PUMP CO., INC.

**TYPE EC & EC-P**  
**10 GAL. CAST IRON RECEIVER**

|                                    |              |               |
|------------------------------------|--------------|---------------|
| DRAWN BY<br>J. ROBINSON            | DATE<br>9/15 | REVISION<br>0 |
| DIMENSION PRINT<br>EC UNITS 10 GAL |              |               |