



Serie **DIRECT MOUNT 2 WAY BALL VALVE**

Articolo **250N - 253N**



MEETS THE DESIGN CRITERIA OF
MSS_SP_110

Brass ball valve, FNPT threaded, full port with ISO 5211 pad for actuator, sizes from 1/4" to 4".

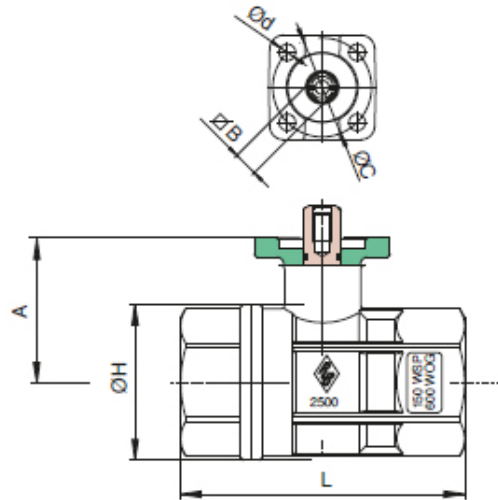
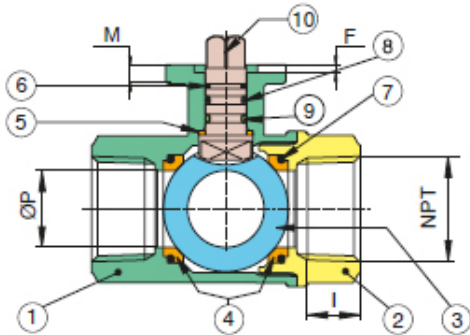
- Pressure rating 600 WOG-150 WSP.
- Temperature range -4°F to +366°F.
- Blow out proof stem.
- P.T.F.E seats with O-ring backing for low operating torque.
- P.T.F.E seats and double O-ring stem packing.
- 100% electronically tested in the open and closed position at 80 psi.
- Not to be used for drinking water.
- Valve to be used in fully open or fully closed position.
- ANSI B1.20.1 connections.

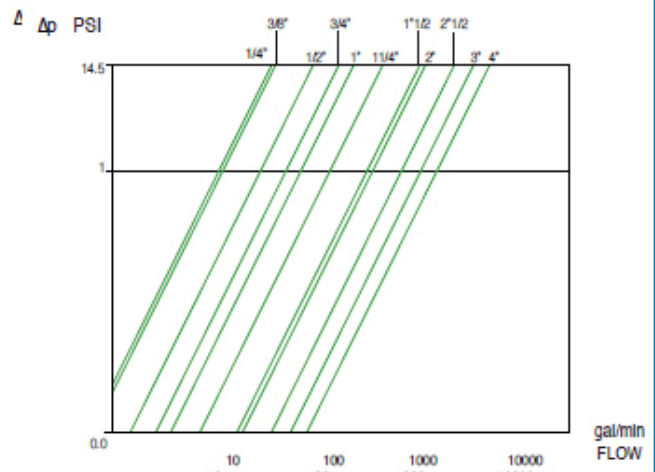
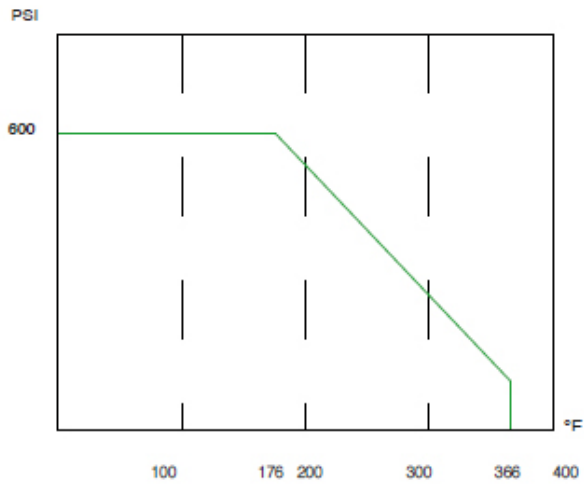
250N: WITH BRASS BALL AND STEM - size up to 4".

253N: WITH STAINLESS STEEL BALL AND STEM - size up to 2".

O-RING BACK P.T.F.E. SEAT

* (in-lbs) Torque values in the table are measured in laboratory tests under the following conditions:
 TEMPERATURE: 68°F
 PRESSURE: 0 psi
 FLUID: PURIFIED WATER





N POS	PART NAME	MATERIAL	N PCS
1	BODY	BRASS C38000	1
2	END CONNECTION	BRASS C38000	1
3	BALL	BRASS C38000	1
4	BALL SEAT	P.T.F.E	2
5	THRUST WASHER	P.T.F.E	1
6	STEM SEAL	P.T.F.E	1
7	O-RING	FKM (Viton®)	2
8	O-RING	EPDM	1
9	O-RING	FKM (Viton®)	1
10	STEM	BRASS C38500	1

SIZE	A	ØC ISO 5211	F	B mm	Ød	ØH	I	L	CH	M	ØP	CV	psi	Weight Lbs	*Break Torque (in/Lbs)
1/4"	1.28	1.42 (ISO F03)	0.08	9	0.24	1.32	0.39	2.64	1.06	0.22	0.39	6.24	600	0.81	17.70
3/8"	1.28	1.42 (ISO F03)	0.08	9	0.24	1.32	0.41	2.64	1.06	0.22	0.39	6.94	600	0.79	17.70
1/2"	1.28	1.42 (ISO F03)	0.08	9	0.24	1.32	0.54	2.64	1.06	0.22	0.55	18.84	600	0.68	17.70
3/4"	1.36	1.42 (ISO F03)	0.12	9	0.24	1.57	0.55	2.99	1.26	0.20	0.75	34.10	600	0.88	26.60
1"	1.79	1.42 (ISO F03)	0.12	9	0.24	1.93	0.66	3.35	1.61	0.24	0.95	49.71	600	1.59	26.60
1"1/4	1.93	1.42 (ISO F03)	0.12	9	0.24	2.30	0.68	3.66	1.97	0.24	1.18	102.89	600	2.23	53.10
1"1/2	2.52	1.97 (ISO F05)	0.12	11	0.28	2.87	0.68	4.13	2.17	0.31	1.50	265.90	600	3.70	88.50
2"	2.88	1.97 (ISO F05)	0.12	11	0.28	3.60	0.70	4.80	2.76	0.31	1.98	306.36	600	3.95	106.20
2"1/2	3.48	2.76 (ISO F07)	0.12	14	0.35	4.51	0.93	6.10	3.54	0.35	2.52	624.28	600	9.57	274.40
3"	3.85	2.76 (ISO F07)	0.12	14	0.35	5.35	1.02	6.89	4.13	0.35	2.99	1009.25	600	13.38	354.30
4"	4.59	2.76 (ISO F07)	0.12	17	0.35	6.54	1.09	8.03	5.12	0.33	3.74	1606.94	600	21.16	575.30

WARNING: This product can expose you to chemicals including lead, which is known to the State of California to cause cancer and birth defects or other reproductive harm. For more information go to www.p65warnings.ca.gov.