

Serie **COMMERCIAL STYLE**

Articolo **171N - 172N**



MEETS THE DESIGN CRITERIA OF  
MSS\_SP\_110

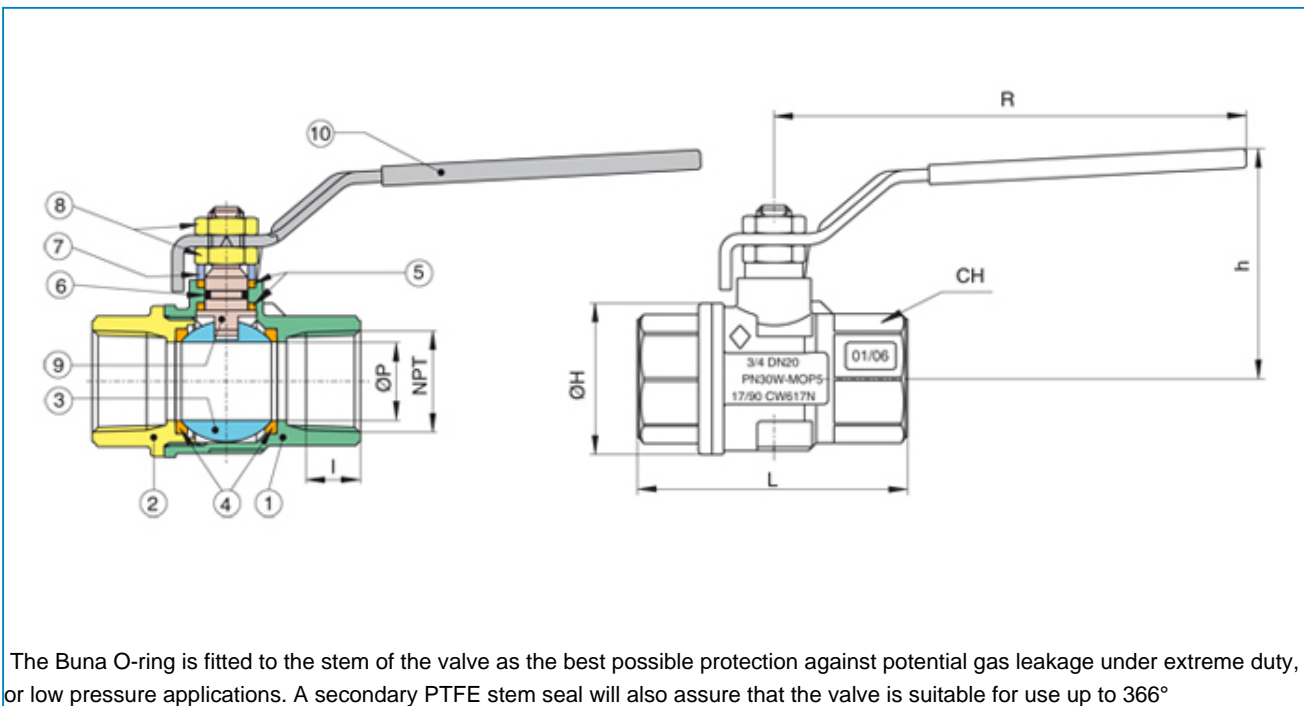
- Brass ball valve, FNPT threaded, full port sizes 1/4" to 4".
- Pressure rating 600 WOG-150 WSP.
  - Temperature range -4°F to +366°F.
  - Blow out proof stem, chrome plated brass ball.
  - P.T.F.E. seats, seals, and thrust washer.
  - Adjustable stem packing.
  - 100% electronically tested in the open and closed position at 80 psi.
  - Not to be used for drinking water.
  - Valve to be used in fully open or fully closed position.
  - ANSI B1.20.1 connections.

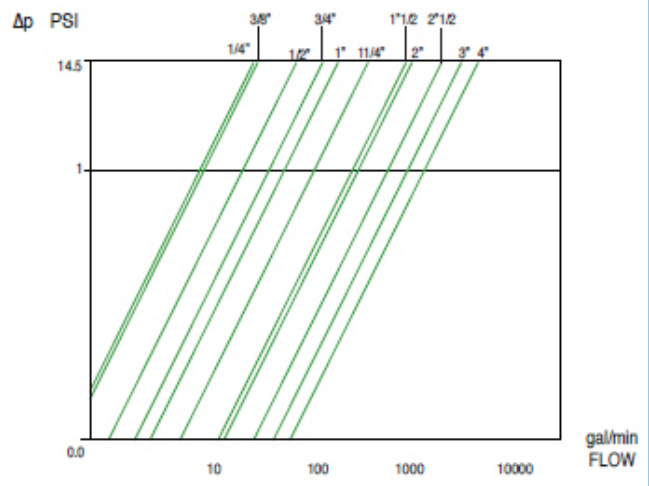
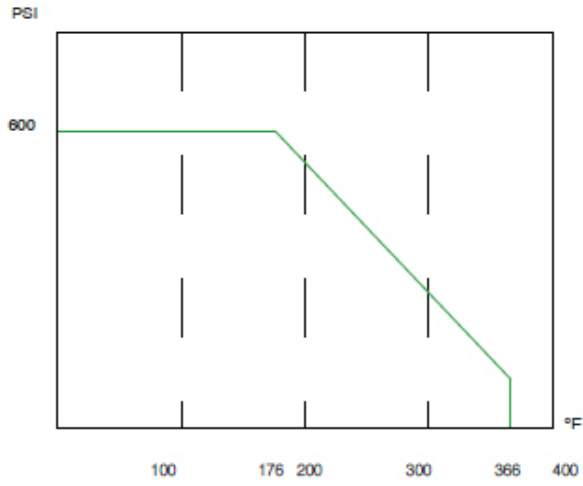
**171N:** LEVER HANDLE - size 1/4" to 4".

**172N:** T HANDLE - size 1/4" to 1".

**171S:** BALL AND STEM IN STAINLESS STEEL AISI 316-size 1/4" to 4".

**171NCR:** CHROME PLATED - size 1/4" to 4".





N Pos	PART NAME	MATERIAL	N PCS
1	BODY	BRASS C38000	1
2	END CONNECTION	BRASS C38000	1
3	BALL	BRASS C38000	1
4	BALL SEAT	P.T.F.E	2
5	THRUST WASHER/STEM SEAT	P.T.F.E	2
6	O-RING	NBR	1
7	PACKING GLAND	BRASS C38500	1
8	NUT	STEEL CL 04	2
9	STEM	BRASS C38500	1
10	HANDLE	Fe DD11 UNI EN 10111	1

SIZE	ØP	I	L	ØH	CH	R	h	CV	psi	Lbs
1/4"	0.39	0.39	2.02	0.90	0.78	3.78	1.65	6.24	600	0.33
3/8"	0.39	0.40	2.02	0.90	0.78	3.78	1.65	6.94	600	0.30
1/2"	0.59	0.53	2.44	1.25	0.98	3.78	1.81	18.84	600	0.48
3/4"	0.78	0.55	2.71	1.53	1.22	4.76	2.28	34.10	600	0.79
1"	0.98	0.66	3.07	1.92	1.49	4.76	2.44	49.71	600	1.22
1"1/4	1.25	0.68	3.42	2.32	1.88	5.94	3.00	102.89	600	2.14
1"1/2	1.57	0.68	3.89	2.87	2.12	5.94	3.23	265.90	600	3.20
2"	1.94	0.69	4.33	3.38	2.63	6.30	3.74	306.36	600	4.08
2"1/2	2.56	0.93	5.59	4.37	3.54	8.07	4.84	624.28	600	8.27
3"	3.15	1.02	6.46	5.35	4.13	8.07	5.24	1009.25	600	13.01
4"	3.94	1.09	7.60	6.34	5.12	10.24	6.50	1606.94	600	22.05