

DIMENSIONS & DATA CERTIFIED FOR:

Representative:

Order:

Customer:

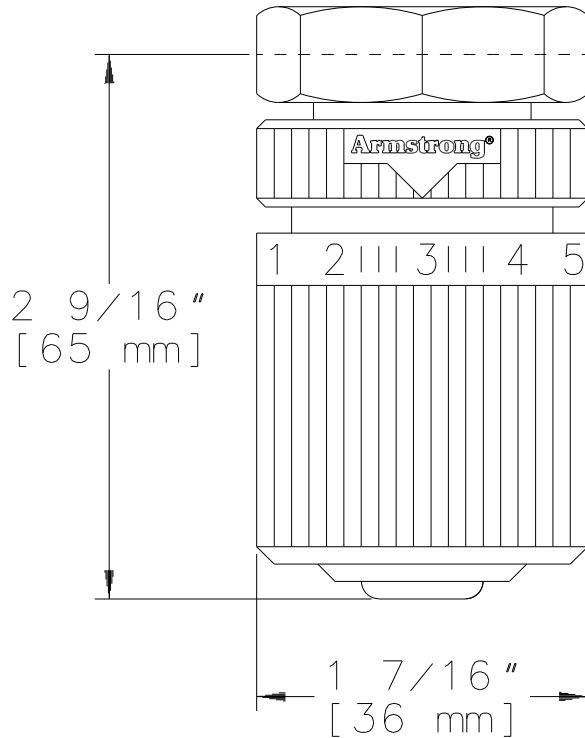
Order:

Project:

Requirements:

By:

Date:



Materials	
Body	Luron
O-Rings	EPDM
Weight	1/4 lb. [0.1 kgs]



Armstrong Pressure/Temperature Group
 221 Armstrong Blvd.,
 Three Rivers, MI. 49093
Armstrong (269) 279-3600 Fax(269) 273-8656
 Posted on Armstrong's homepage www.armstrong-intl.com

Product	CDY No.	Date
WV-4 OPERATOR W/LOW DENSITY WAX SENSOR	1062	3/13/98
		Rev. A