

DIMENSIONS & DATA CERTIFIED FOR:

Representative:

Order:

Customer:

Order:

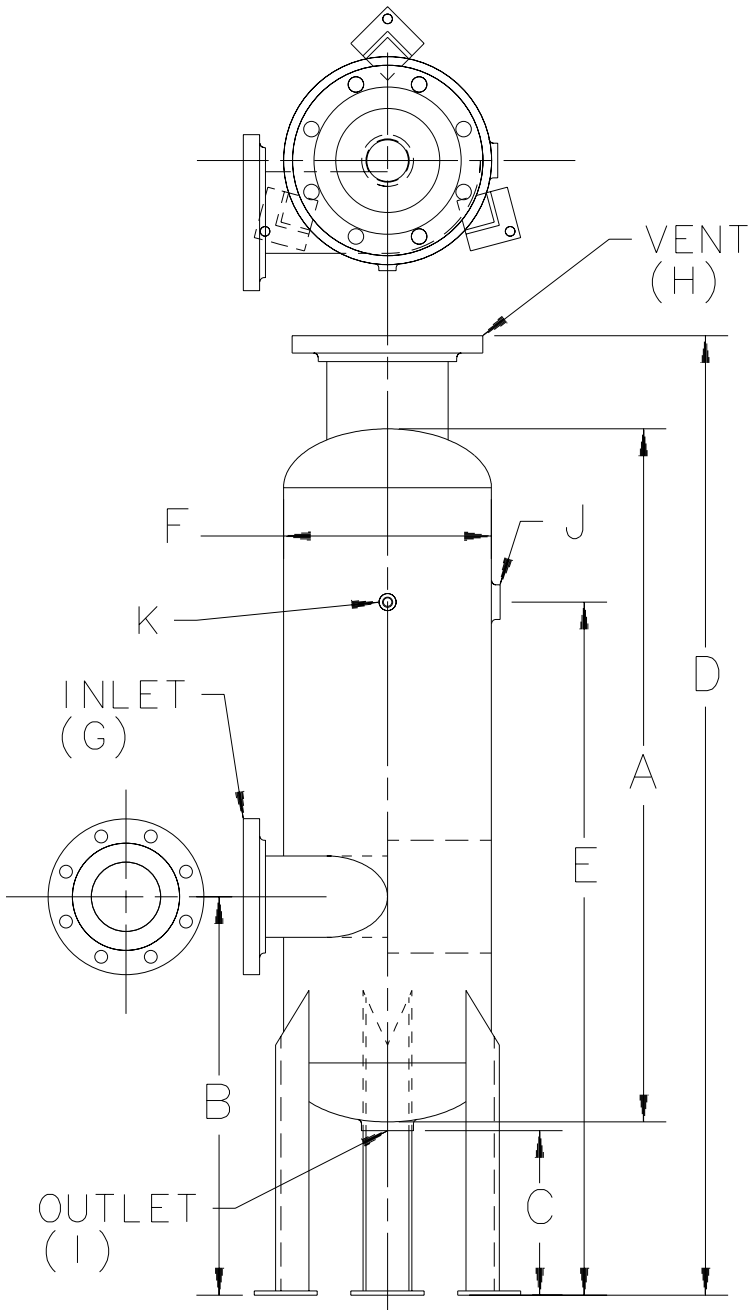
Project:

Requirements:

By:

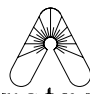
Date:

CONNECTIONS "G" AND "H" ARE 150# FLANGES
ALL OTHERS ARE NPT



	AFT-6	AFT-8	AFT-12	AFT-16
A	36	36	40	48
B	21	21	23	26
C	9.5	9.5	9.5	9.5
D	51	52	55.4	63.5
E	36	36	40	48
F	6	8	12	16
G	2	3	4	6
H	2.5	4	6	6
I	1.5	1.5	2	2
J	.75	1	1.5	2
K	.5	.5	.5	.5

ALL FLASH TANKS ARE
ASME CODED FOR 150 PSIG

 Armstrong Fluid Handling, Inc. Three Rivers, MI. 49093 Telephone (616) 278-6500 Fax (616) 279-3150		
Product	CDF No.	Date
FLASH TANK INDUSTRY STANDARD	CDF 1023	05/12/98
		Rev. B