

DIMENSIONS & DATA CERTIFIED FOR:

Representative:

Order:

Customer:

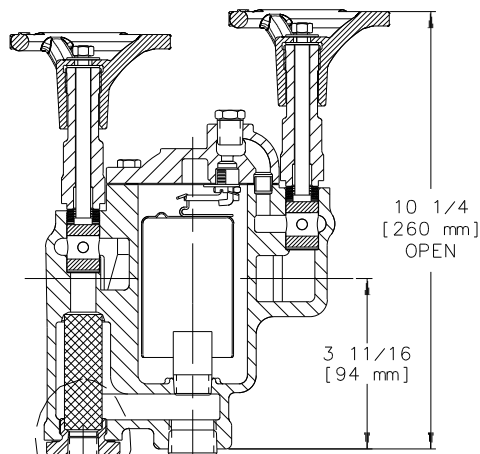
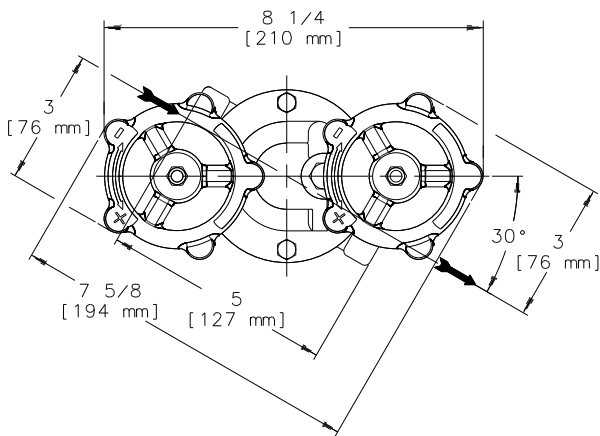
Order:

Project:

Requirements:

By:

Date:



DRAIN PLUG
3/8 NPT

Dimensions Are
In Inches [mm]

DRAIN PLUG 3/8 OR
3/4 NPT (W/ OUT
INTEGRAL STRAINER)

BLOWDOWN VALVE
OPTIONAL

NAME OR PART	MATERIAL
CAP AND BODY	ASTM A48 CL 30
INLET TUBE	STEEL PIPE
GASKET	COMPRESSED NON-ASBESTOS
BOLTS	CARBON STEEL
VALVE & VALVE SEAT	HARDENED STN. STL.
VALVE RETAINER	STN. STL.
LEVER	
GUIDE PIN ASSEMBLY	
BUCKET	
BODY THIMBLE	
STRAINER, INTEGRAL (OPTIONAL)	
RETAINER, STRAINER (OPTIONAL)	
BUSHING	STEEL
STRAINER BUSHING GASKET	SOFT STEEL
HANDWHEEL	DUCTILE IRON
BONNET	ASTM A351 GR CF8M
BOLTS, BONNET	CARBON STEEL, GR8.8
WASHER	AISI T304 STN. STL.
DISC SPRING	17-7 PH
NUT	AISI T304L STN. STL.
VALVE PLUG	17-4 PH
WASHER, VALVE	AISI T303 STN. STL.
RING, VALVE	GRAPHITE & STN. STL.
LANTERN BUSHING	AISI T303 STN. STL.
BLOWDOWN VALVE (OPTIONAL)	AISI T303 STN. STL.
PLUG, DRAIN	STEEL

PIPE CONNECTIONS (NPT)	1/2[DN15] & 3/4[DN20]
MAXIMUM ALLOWABLE PRESSURE (VESSEL DESIGN)	250 psig at 450°F [17 bar at 232°C]
MAX. OPERATING PRESSURE	250 psig [17 bar]
WEIGHT:	12 lbs [5 kgs]

OPTIONS:

CONNECTIONS - NPT OR BSPT	<input type="checkbox"/>
INTERNAL CHECK VALVE	<input type="checkbox"/>
THERMIC VENT BUCKET	<input type="checkbox"/>
BVSW - LIQUID DRAINER	<input type="checkbox"/>
LARGE VENT	<input type="checkbox"/>
INTEGRAL STRAINER	<input type="checkbox"/>
BLOWDOWN VALVE	<input type="checkbox"/>



Armstrong International, Inc.
Three Rivers Division
Three Rivers, MI 49093

Armstrong (269) 273-1415 Fax(269) 278-6555
Posted on Armstrong's homepage www.armstrong-intl.com

Product	CD No.	Date
TVS811 INVERTED BUCKET STEAM TRAP	1099	3/5/04
		Rev. E