

DIMENSIONS & DATA CERTIFIED FOR:

Representative:

Order:

Customer:

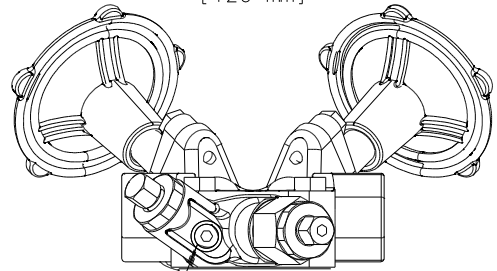
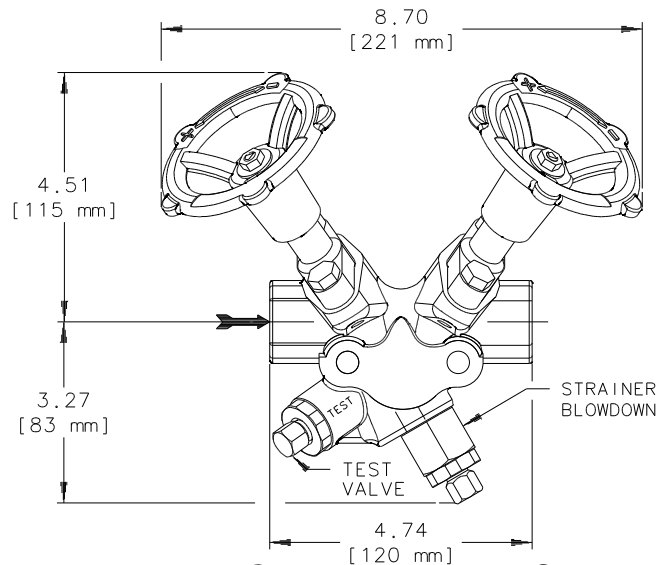
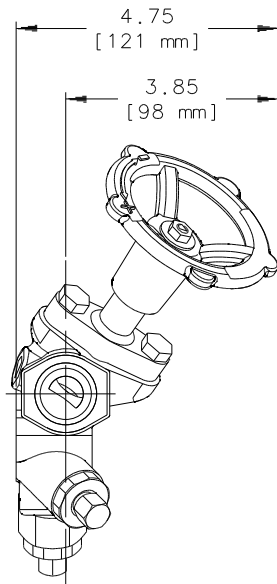
Order:

Project:

Requirements:

By:

Date:



1/4 [DN 8] NPT

NAME OF PART	MATERIAL
BODY	ASTM A351 GR. CF8M
HANDWHEEL	DUCTILE IRON
BONNET	ASTM A351 GR. CF8M
BOLTS	DIN 933 GR. A2 STN. STL.
VALVE PLUGS	17-4PH
LANTERN BUSHINGS	AISI T303 STN. STL.
VALVE RINGS	GRAPHITE & STN. STL.
VALVE WASHER	AISI T303 STN. STL.
DISC SPRINGS	17-7PH
NUT	AISI T304L STN. STL.
FLAT WASHERS	AISI T304L STN. STL.
SCREEN	AISI T304 SS 20x20 MESH
GASKET, RETAINER	AISI T316 SS
STRAINER BLOWDOWN ASS'Y	AISI T303 STN. STL.
TEST VALVE ASS'Y	AISI T303 STN. STL.

OPTIONS:	
CONN.	1/2 [DN15] & 3/4 [DN20]
	NPT
	BSPT
	SW
	LEFT-TO-RIGHT FLOW
	RIGHT-TO-LEFT FLOW

WEIGHT: 6 LBS. [3 kgs]


 Armstrong International, Inc.
 Three Rivers Division
 Three Rivers, MI 49093
Armstrong (269) 273-1415 Fax(269) 273-9500
 Posted on Armstrong's homepage www.armstrong-intl.com

Product	CD No.	Date
TVS4000	1231	3/12/04
		Rev. B