

# DIMENSIONS & DATA CERTIFIED FOR:

Representative:

Order:

Customer:

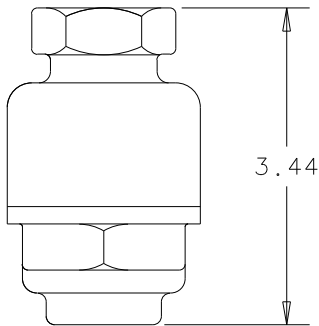
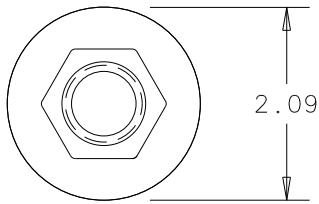
Order:

Project:

Requirements:

By:

Date:



Name of Part	Material
Body & Cap	Cast Bronze ASTM B62
Gasket	Compressed Non-Asbestos
Thermostatic Unit Bellows - Cage & Cover -	Phosphor Bronze Stainless Steel
Thermostatic Unit Gasket	Copper Clad

Specifications	
Pipe Connections	1/2 NPT
Weight	1 lb. 9 oz.
Max. Allowable Press.	125 psig
Max. Operating Press.	At 353°F



Armstrong International, Inc.  
Three Rivers Division  
Three Rivers, MI 49093

**Armstrong** (269) 273-1415 Fax(616) 278-6555  
Posted on Armstrong's homepage [www.armstrong-intl.com](http://www.armstrong-intl.com)

Product	CD No.	Date
TV-2	1032	2/03/95
		Rev. A