

DIMENSIONS & DATA CERTIFIED FOR:

Representative:

Order:

Customer:

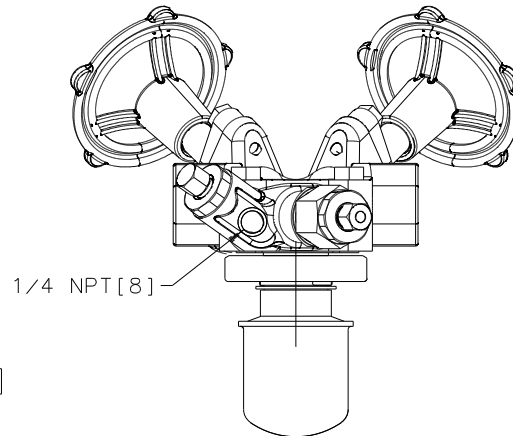
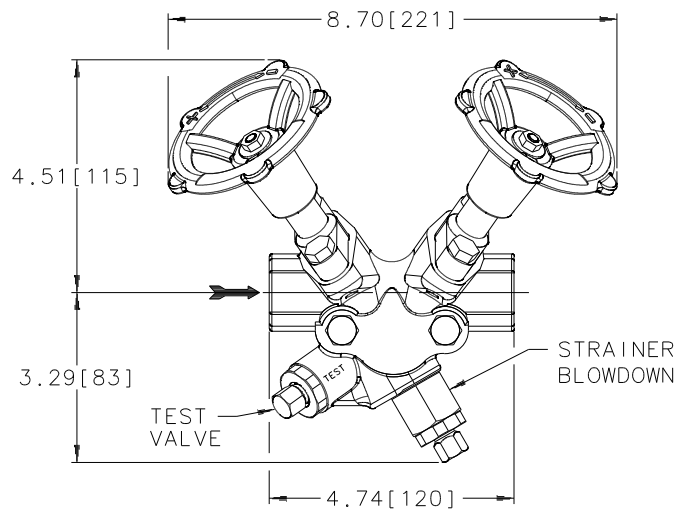
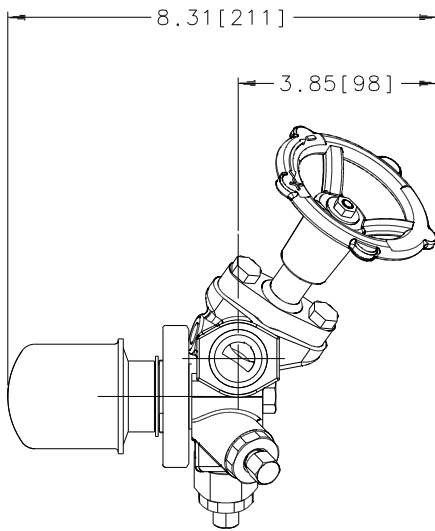
Order:

Project:

Requirements:

By:


Date:



Dimensions Are In Inches [mm]

OPTIONS:	
CONNS.:	1/2 & 3/4 NPT
	1/2 & 3/4 BSPT
	1/2 & 3/4 SW
	LEFT-TO-RIGHT FLOW
	RIGHT-TO-LEFT FLOW
	TT W/ TVS4000
	CD W/ TVS4000
	WT W/ TVS4000

See Sht. 2 For List Of Materials

 Armstrong International, Inc. Three Rivers Division Three Rivers, MI 49093 (269) 273-1415 Fax(269) 273-9500 Posted on Armstrong's homepage www.armstrong-intl.com		
Product	CD No.	Date
TRAP		8/19/03
TT, CD, WT	1272	Rev. A
W/ TVS4000		

DIMENSIONS & DATA CERTIFIED FOR:

Representative:

Order:

Customer:

Order:

Project:

Requirements:

By:

Date:

LIST OF MATERIALS:		MAX. OPERATING PRESSURE	MAX. ALLOWABLE PRESSURE (VESSEL DESIGN)
NAME OF PART	MATERIAL		
TT-2000:		300 psig[21 bar] at 423°F[217°C]	300 psig[21 bar] at 423°F[217°C]
BELLOWS	SS, BRONZE W/PHOSPHOR-BRONZE		
GASKET, BELLOWS	COPPER CLAD NON-ASBESTOS		
CD-2000:		400 psig[28 bar] at 600°F[316°C]	400 psig[28 bar] at 600°F[316°C]
CHAMBER, DISC & BODY	HARDENED SS		
BODY, TRAP	ASTM A167 T304L SS		
WT-2000:		400 psig[28 bar] at 650°F[343°C]	400 psig[28 bar] at 650°F[343°C]
WAFER	HASTELLOY		
BODY & CAP(CAPSULE)	ASTM A276 T304 SS		
BODY, TRAP	ASTM A167 T304L SS		
CONNECTOR:			
GASKET, CONNECTOR	T304 SS NON-ASBESTOS		
RETAINING RING	CARBON STEEL		
FLANGE	ASTM A105 CARBON STEEL, NICKEL PLATED		
RETAINER, FLANGE	ASTM A276 T304 SS		
TVS4000:			
BODY	ASTM A351 GR. CF8M		
HANDWHEEL	CAST IRON		
BONNET	ASTM A351 GR. CF8M		
BOLTS	DIN 933 GR. A2 STN. STL.		
VALVE PLUGS	Z6 CDF 18.02 STN. STL.		
LANTERN BUSHINGS	AISI 304L STN. STL.		
VALVE RINGS	GRAPHITE & STN. STL.		
VALVE WASHER	AISI 304L STN. STL.		
DISC SPRINGS	Z12 CN 17.07 STN. STL.		
NUT	AISI 304L STN. STL.		
FLAT WASHERS	AISI 304L STN. STL.		
SCREEN	ASTM A167 304 SS 20x20 MESH		
GASKET, RETAINER	ASTM A167 316 SS		
STRAINER BLOWDOWN ASS'Y	STN. STL.		
TEST VALVE ASS'Y	STN. STL.		

Consult Armstrong For Weight

Dimensions Are In Inches[mm]



Armstrong International, Inc.
Three Rivers Division
Three Rivers, MI 49093

Armstrong (269) 273-1415 Fax(269) 273-9500
Posted on Armstrong's homepage www.armstrong-intl.com

Product	CD No.	Date
TRAP	1272	8/19/03
TT, CD, WT W/ TVS4000		Rev. A
	Sht. 2	

DIMENSIONS & DATA CERTIFIED FOR:

Representative:

Order:

Customer:

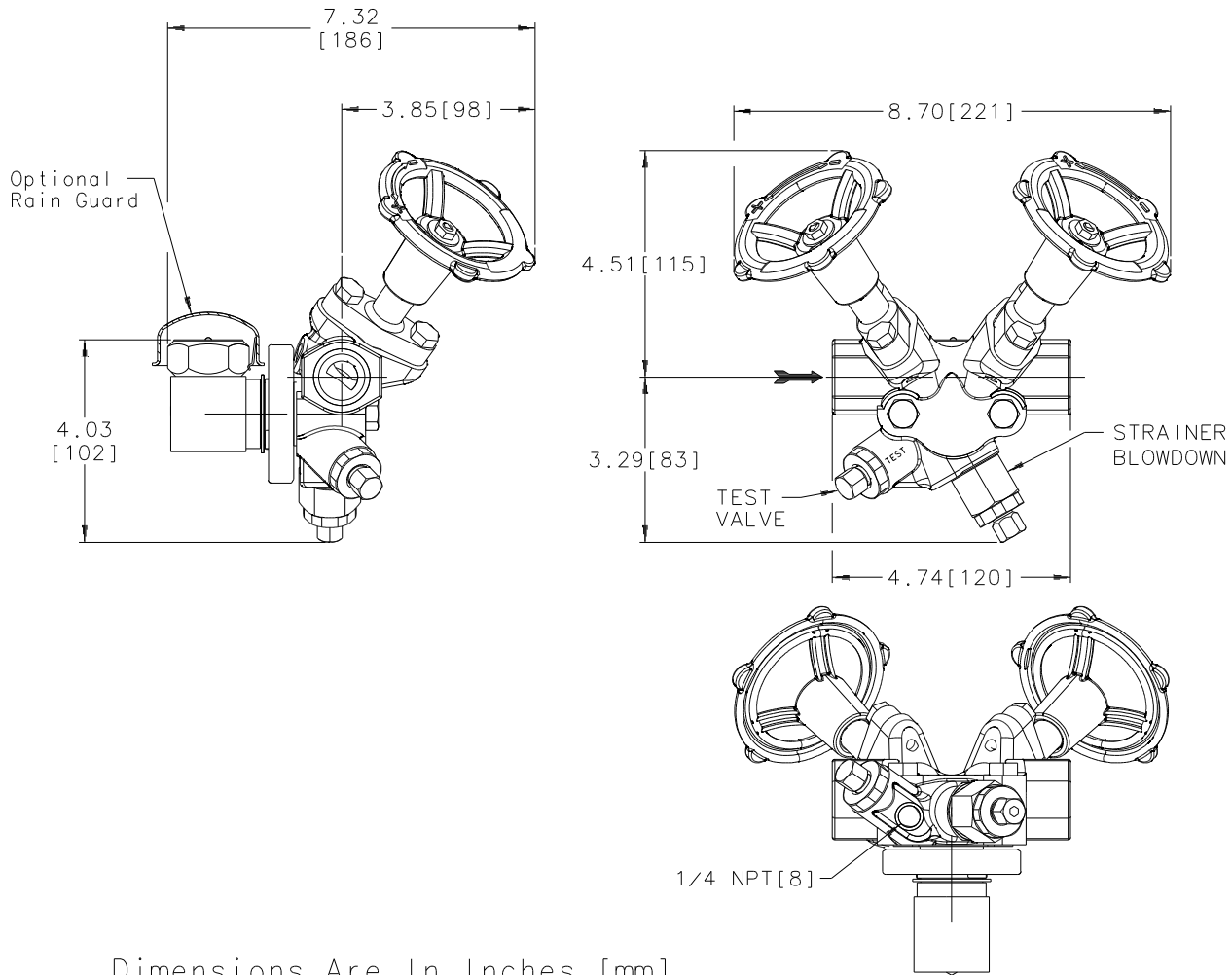
Order:

Project:

Requirements:

By:

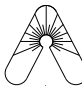
Date:



Dimensions Are In Inches [mm]

OPTIONS:	
CONNS.:	1/2 & 3/4 NPT
	1/2 & 3/4 BSPT
	1/2 & 3/4 SW
	LEFT-TO-RIGHT FLOW
	RIGHT-TO-LEFT FLOW

See Sht. 4 For List Of Materials

 Armstrong International, Inc. Three Rivers Division Three Rivers, MI 49093 (269) 273-1415 Fax(269) 273-9500 Posted on Armstrong's homepage www.armstrong-intl.com		
Product	CD No.	Date
TRAP CD-3300 W/ TVS4000	1272 Sht. 3	3/2/04
		Rev. A

DIMENSIONS & DATA CERTIFIED FOR:

Representative:

Order:

Customer:

Order:

Project:

Requirements:

By:

Date:

LIST OF MATERIALS:

NAME OF PART	MATERIAL	MAX. OPERATING PRESSURE	MAX. ALLOWABLE PRESSURE (VESSEL DESIGN)
CD-3300:			
BODY & DISC, TRAP	ASTM A276 T304 SS	450 psig[31 bar] at 456°F[236°C]	720 psig[236 bar] at 750°F[400°C]
CAP, TRAP	ASTM A743 CA40		
CONNECTOR:			
GASKET, CONNECTOR	T304 SS NON-ASBESTOS		
RETAINING RING	CARBON STEEL		
FLANGE	ASTM A105 CARBON STEEL, NICKEL PLATED		
RETAINER, FLANGE	ASTM A276 T304 SS		
TVS4000:			
BODY	ASTM A351 GR. CF8M		
HANDWHEEL	CAST IRON		
BONNET	ASTM A351 GR. CF8M		
BOLTS	DIN 933 GR. A2 STN. STL.		
VALVE PLUGS	Z6 CDF 18.02 STN. STL.		
LANTERN BUSHINGS	AISI 304L STN. STL.		
VALVE RINGS	GRAPHITE & STN. STL.		
VALVE WASHER	AISI 304L STN. STL.		
DISC SPRINGS	Z12 CN 17.07 STN. STL.		
NUT	AISI 304L STN. STL.		
FLAT WASHERS	AISI 304L STN. STL.		
SCREEN	ASTM A167 304 SS 20x20 MESH		
GASKET, RETAINER	ASTM A167 316 SS		
STRAINER BLOWDOWN ASS'Y	STN. STL.		
TEST VALVE ASS'Y	STN. STL.		

TRAP COMPONENTS

CONNECTOR COMPONENTS

Consult Armstrong For Weight

Dimensions Are In Inches[mm]



Armstrong International, Inc.
Three Rivers Division
Three Rivers, MI 49093

Armstrong (269) 273-1415 Fax(269) 273-9500
Posted on Armstrong's homepage www.armstrong-intl.com

Product

CD No.

Date

TRAP
CD-3300
W/ TVS4000

1272
Sht. 4

3/2/04

Rev.

A