

DIMENSIONS & DATA CERTIFIED FOR:

Representative:

Order:

Customer:

Order:

Project:

Requirements:

By:

Date:

LIST OF MATERIALS:

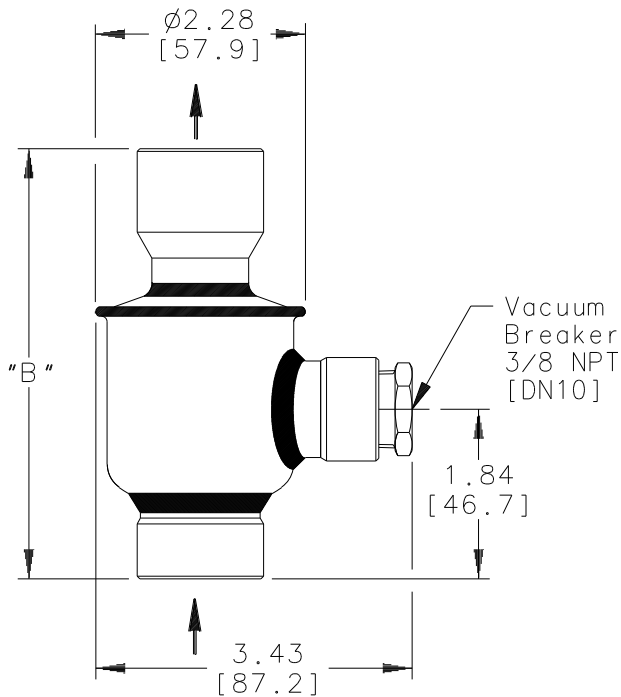
NAME OF PART	MATERIAL
Body Ass'y	T304 SS
Cap Assy	
Thermostatic Air Vent	Phosphor-Bronze & SS
Gasket	Copper Clad Non Asbestos
Vacuum Breaker	T303 SS & EPDM O-Ring

TECHNICAL INFORMATION

MODEL NO.	TAVB-2	TAVB-3
CONNECTION NPT, BSPT	1/2 [DN15]	3/4 [DN20]
"B" Height	4-5/8 [117.5]	4-11/16 [119.1]
Weight	1 lb. [.5 kgs]	1.2 lb. [.6 kgs]
Discharge Orifice Size	ø3/16 [5]	

DESIGN INFORMATION

Max. Allowable Pressure (Vessel Design)	300 psi at 365°F [20 bar at 185°C]
Max. Operating Pressure	150 psi [10 bar]



TAVB-3 Shown Above

Dimensions Are In Inches [mm]



Product
ENGLISH
TAVB
AIR VENT/VACUUM BREAKER

WEB
Y|N
✓

CD No.
1260
Rev; C

Date
3/5/09
By; paulg