

# DIMENSIONS & DATA CERTIFIED FOR:

Representative:

Order:

Customer:

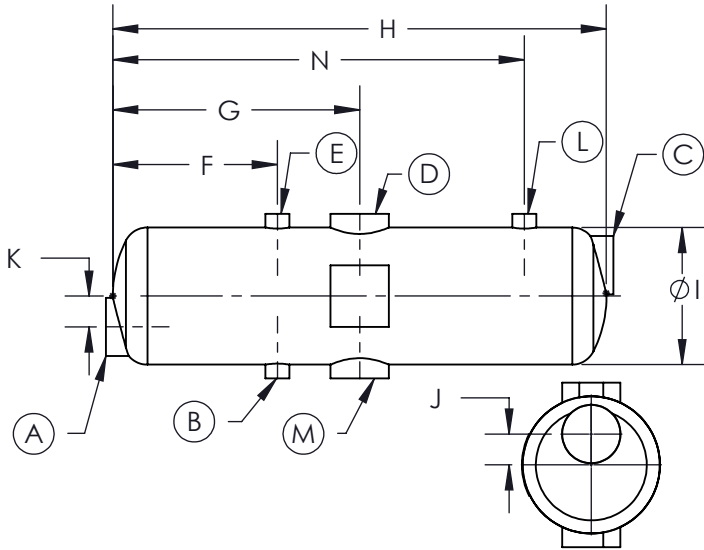
Order:

Project:

Requirements:

By:

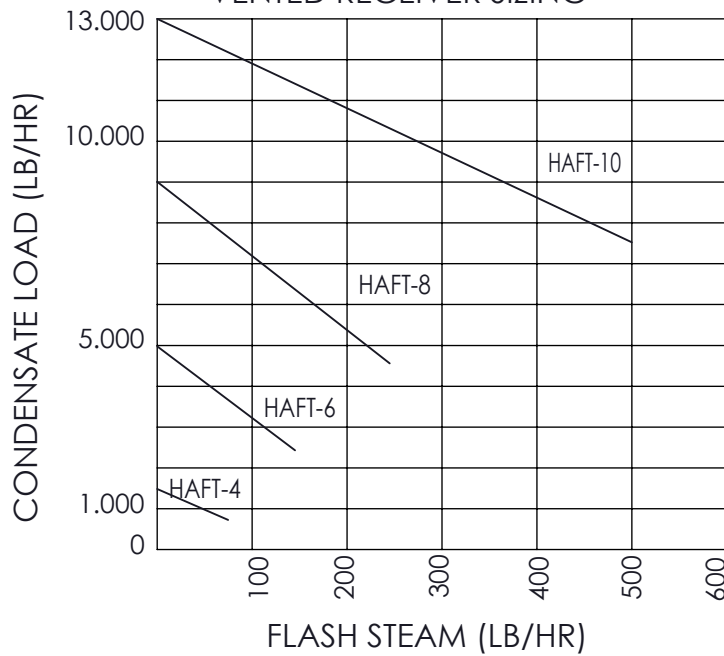
Date:



### CLOSED RECEIVER SIZING

PART NO.	CONDENSATE LOAD (LB/HR)
HAFT-10	13,000
HAFT-8	9,000
HAFT-6	5,000
HAFT-4	1500

### VENTED RECEIVER SIZING



Dimensions Are In Inches [mm]

PART NO.	A	B	C	D	E	F	G	H	I	J	K	L	M	N
HAFT-10	3	1	3	3	1	12	18	36	10	2.25	2.25	1	3	30
HAFT-8	2	1	2	2.5	1	12	18	36	8	1.75	1.75	1	2	30
HAFT-6	1.5	1	1.5	2	1	12	18	36	6	1.25	1.25	1	2	30
HAFT-4	1.5	1	1.5	1.5	1	8	12	24	4	1	1	1	1.5	18

**NOTES:**

1. ASME SEC. VIII "U"
2. ALL STAMPED FOR 150 PSIG
3. ALL CONNECTIONS ARE FNPT



Product

HAFT-4 - HAFT-10 CONDENSATE RECEIVERS

ENGLISH

CD No.

CD2979

Rev;

A

Date

08/08/2019

WEB  
Y|N

SHEET 1 OF 1

By: Nash