

DIMENSIONS & DATA CERTIFIED FOR:

Representative:

Order:

Customer:

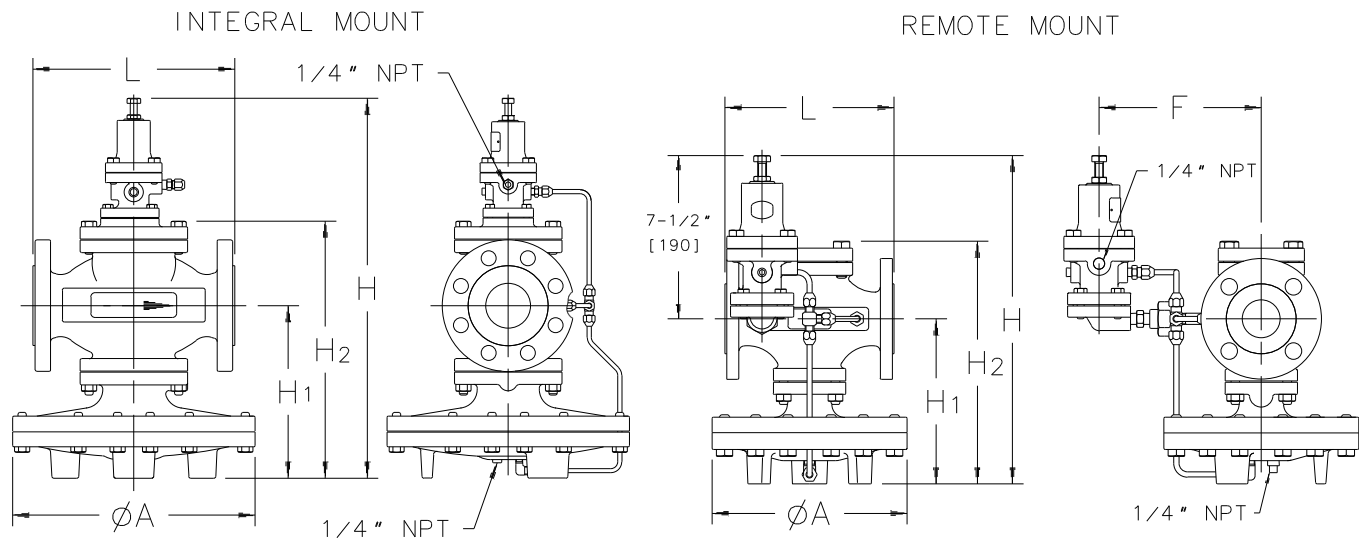
Order:

Project:

Requirements:

By:

Date:



Dimensions & Weights

SIZE	Flange Class	L	A	F	H Integral	H Remote	H1	H2	Weight	Cv [Kv]
2" [50]	150	8-9/16" [217mm]	10-15/16" [278mm]	7-3/4" [197mm]	19-5/8" [498mm]	16" [406mm]	8-1/2" [216mm]	12-5/8" [321mm]	81 lbs. [37 kgs]	32 [28]
	300	9-1/8" [232mm]							84 lbs. [38 kgs]	
2-1/2" [65]	150	10-15/16" [278mm]	13-13/16" [351mm]	8-5/16" [211mm]	21-3/4" [552mm]	17-5/16" [440mm]	9-13/16" [249mm]	14-3/4" [375mm]	142 lbs. [64 kgs]	60 [52]
	300	11-1/2" [292mm]							150 lbs. [68 kgs]	
3" [80]	150	11-3/4" [298mm]	13-13/16" [351mm]	8-3/4" [222mm]	22-5/8" [575mm]	17-15/16" [456mm]	10-7/16" [265mm]	15-3/4" [400mm]	155 lbs. [70 kgs]	78 [67]
	300	12-7/16" [316mm]							166 lbs. [75 kgs]	
4" [100]	150	13-1/2" [343mm]	15-13/16" [402mm]	9-7/16" [240mm]	25-15/16" [659mm]	20-1/8" [511mm]	12-5/8" [321mm]	19-1/4" [489mm]	247 lbs. [112 kgs]	120 [104]
	300	14-1/8" [359mm]							264 lbs. [120 kgs]	
6" [150]	150	18-1/8" [460mm]	19-3/4" [502mm]	11-5/16" [135mm]	31-3/4" [806mm]	27-1/4" [692mm]	16-1/4" [413mm]	26-1/2" [673mm]	553 lbs. [252 kgs]	250 [215]
	300	19" [483mm]								

NOTE: 2" thru 4" standard in integral mount.



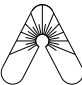
Armstrong Pressure/Temperature Group
221 Armstrong Blvd.,
Three Rivers, MI. 49093
Armstrong (269) 279-3600 Fax(269) 273-8656
Posted on Armstrong's homepage www.armstrong-intl.com

Product	CDY No.	Date
GP-2000 FLANGED	1007	1/23/98
		Rev. C

Specifications					
Application	Inlet Pressure	Reduced Pressure	Spring Color Code	Maximum Temperature	Minimum Differential
STEAM	CL. 150 FLG. 15-185 psig [1-12.6 bar]	*1.5-3 psig [.1-.2 bar]	SILVER	450 °F [232 °C]	7 psig [.48 bar]
		3-21 psig [.2-1.4 bar]	YELLOW		
	CL. 300 FLG. 15-300 psig [1-20.4 bar]	15-200 psig [1-13.6 bar]	GREEN		

Note: *When using this spring range, remove one (1) pilot diaphragm.
Capacities are reduced by 1/2 of capacity chart when this spring is being used.

List Of Materials	
Body	Ductile Iron ASTM A536
Main Valve	Stainless Steel AISI 420
Main Valve Seat	Stainless Steel AISI 420
Pilot Valve	Stainless Steel AISI 420
Pilot Valve Seat	Stainless Steel AISI 420
Diaphragm	Stainless Steel AISI 301
Bolting	Carbon Steel

 Armstrong Pressure/Temperature Group 221 Armstrong Blvd., Three Rivers, MI. 49093 Armstrong (269) 279-3600 Fax(269) 273-8656 Posted on Armstrong's homepage www.armstrong-intl.com		
Product	CDY No.	Date
GP-2000 FLANGED	1007	1/28/98
		Rev. B