

DIMENSIONS & DATA CERTIFIED FOR:

Representative:

Order:

Customer:

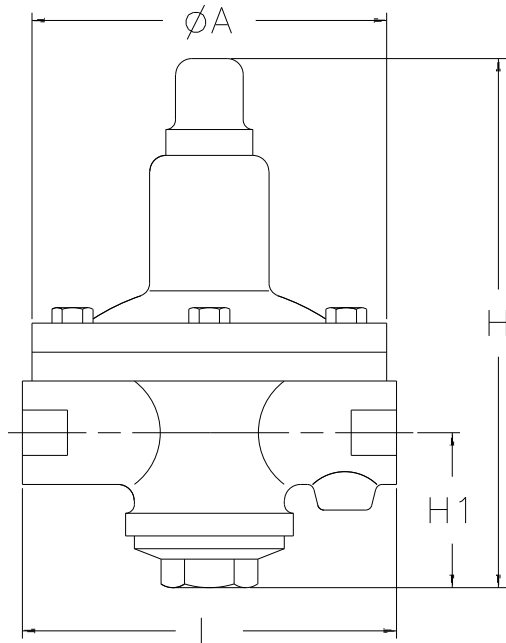
Order:

Project:

Requirements:

By:

Date:



Dimensions

SIZE	L	A	H	H1	Cv [Kv]	Weight
3/8" [10]	6-1/2" [165mm]	6-1/8" [156mm]	9-1/2" [241mm]	2-1/4" [57mm]	0.35 [0.3]	12 lbs [5.4 kgs]
1/2" [15]	6-1/2" [165mm]	6-1/8" [156mm]	9-1/2" [241mm]	2-1/4" [57mm]	0.5 [0.4]	12 lbs [5.4 kgs]
3/4" [20]	7-1/4" [184mm]	7" [178mm]	10-1/4" [260mm]	3" [76mm]	1.0 [0.9]	18 lbs [8.2 kgs]
1" [25]	7-1/4" [184mm]	7" [178mm]	10-1/4" [260mm]	3" [76mm]	1.5 [1.3]	18 lbs [8.2 kgs]

Specifications

Model	Application	Inlet Pressure	Reduced Pressure	Maximum Temperature	Minimum Differential
GD-6N	Steam	15-150 psig [1-10 bar]	3-15 psig [0.2-1 bar]	450 °F [232 °C]	7 psig [0.5 bar]
GD-6	Liquid/Gas		15-60 psig [1-4 bar]	175 °F [79 °C]	

Materials

Model	Body	Main Valve	Valve Seat	Diaphragm
GD-6N	Cast Iron ASTM 536	Stainless Steel AISI 440	Stainless Steel AISI 304	Stainless Steel AISI 301
GD-6		Brass (w/Disc) ASTM B16	Bronze ASTM B584	



Armstrong Pressure/Temperature Group
221 Armstrong Blvd.,
Three Rivers, MI. 49093
Armstrong (269) 279-3600 Fax(269) 273-8656
Posted on www.armstronginternational.com

Product	CDY No.	Date
GD-6N/GD-6	1040	05/18/2011
		Rev. B