

# DIMENSIONS & DATA CERTIFIED FOR:

Representative:

Order:

Customer:

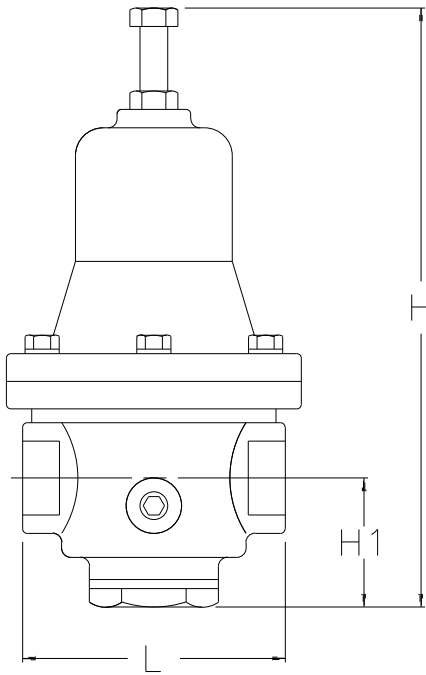
Order:

Project:

Requirements:

By:

Date:



### Dimensions & Weights

SIZE	L	H	H1	Weight	Cv [Kv]
1/2" [15]	3-1/4" [83mm]	7-3/4" [197mm]	1-3/4" [44mm]	4 lbs. [1.8 kgs]	1.5 [1.3]
3/4" [20]	3-1/2" [89mm]	8-1/2" [216mm]	2" [51mm]	5-1/4 lbs. [2.4 kgs]	2 [1.7]
1" [25]	4" [102mm]	9-5/8" [244mm]	2-1/2" [63mm]	7-1/4 lbs. [3.3 kgs]	3 [2.6]
1-1/4" [32]	4-3/4" [121mm]	11-1/4" [286mm]	3-1/4" [83mm]	10-3/8 lbs. [4.7 kgs]	4 [3.5]
1-1/2" [40]	6" [152mm]	13-1/2" [343mm]	3-1/2" [89mm]	18 lbs. [8.2 kgs]	7 [6]
2" [50]	7-1/4" [184mm]	16" [406mm]	4-1/2" [114mm]	31-1/2 lbs. [14.3 kgs]	10 [8.7]

### Specifications

Application	Maximum Inlet Pressure	Reduced Pressure	Maximum Temperature	Minimum Differential
Hot or Cold Water	20-230 psig [1-16 bar]	7-80 psig [0.5-5 bar]	175 °F [79 °C]	7 psig [.48 bar]

### List Of Materials

Body	Cast Bronze ASTM B584
Main Valve	Cast Bronze ASTM B16
Valve Seat	Stainless Steel AISI 304
Diaphragm	NBR*

\*With optional Viton diaphragm, maximum temperature is 210 °F [99 °C]



Armstrong Pressure/Temperature Group  
221 Armstrong Blvd.,  
Three Rivers, MI. 49093  
**Armstrong** (269) 279-3600 Fax(269) 273-8656  
Posted on [www.armstronginternational.com](http://www.armstronginternational.com)

Product	CDY No.	Date
GD-24	1023	05/18/2011
		Rev. C