



# Armstrong® Model 038 Spray Nozzle

Model 038 is a traditional rubber covered spray nozzle recommended for washdown temperatures which do not exceed 160°F.

**Ergonomics.** Model 038 is ergonomically designed with a rear trigger which is activated with the lower palm to help reduce user fatigue.

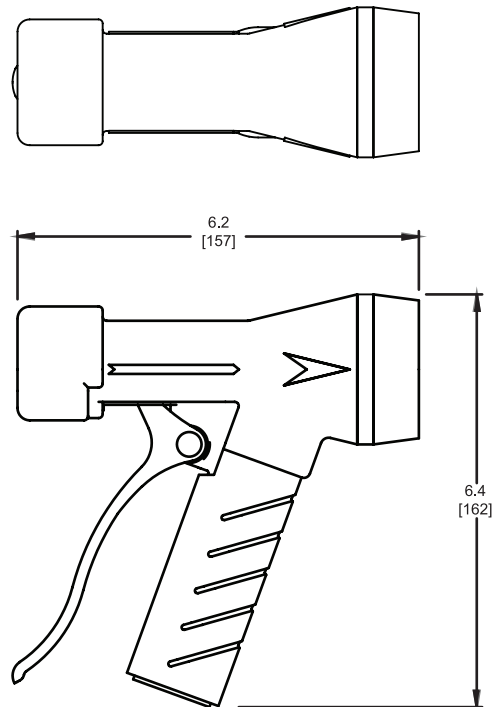
**Heat.** Model 038 is rated to 200°F (93°C) however the heat transfer through the hand grip is a factor at higher temperatures. Heat resistant gloves are suggested and Armstrong offers Model 038TG for higher temperature washdown applications.

**Safety.** Model 038 has an oversized spray end with a colored band and a directional arrow which assists the user in accurately identifying water spray direction.



### Technical Specifications – Model 038

- 1/2" (15 mm) inlet
- Dimensions: Length 6 1/2" (165 mm)  
Height 6 1/2" (165 mm)
- Weight: 2 lb 4 oz (1 kg)
- 150 PSI (10 bar) Maximum Operating Pressure
- 200°F (93°C) Maximum Operating Temperature
- Variable flow pattern from 50° hollow cone to solid stream
- Black (standard) or White (optional) rubber cover
- Materials of construction: Brass with Stainless Steel internals
- Flow Rates at 100 PSI (7 bar)
  - 10 GPM (37 LPM) Yellow Band (Model 038-10)
  - 16 GPM (60 LPM) Red Band (Model 038-16)
  - 22 GPM (83 LPM) Grey Band (Model 038-22)
- Optional Materials
  - Aluminum (Model 038-AL)  
Weight: 2 lb 12 oz (1 kg)
  - Stainless Steel (Model 038-SS)



| Inlet Pressure<br>PSIG | Gallons Per Minute |                 |                 |
|------------------------|--------------------|-----------------|-----------------|
|                        | Model<br>038-10    | Model<br>038-16 | Model<br>038-22 |
| 25                     | 4.7                | 8.2             | 11.0            |
| 50                     | 6.7                | 11.5            | 15.6            |
| 75                     | 8.3                | 14.1            | 19.1            |
| 100                    | 9.8                | 16.3            | 22.0            |
| 125                    | 10.8               | 18.3            | 24.6            |
| 150                    | 11.8               | 20.0            | 26.9            |